

MAXIM

MAX3930 Evaluation Kit

General Description

The MAX3930 evaluation kit (EV kit) is an assembled demonstration board that provides electrical evaluation of the MAX3930 10.7Gbps laser driver. The output of the evaluation board is interfaced to an SMA connector that can be connected to a 50Ω terminated oscilloscope.

Features

- ◆ Fully Assembled and Tested
- ◆ Fully Matched for Best Return Loss

Ordering Information

PART	TEMP. RANGE	IC PACKAGE
MAX3930EVKIT	-40°C to +85°C	Chip On Board

Component List

DESIGNATION	QTY	DESCRIPTION
C1, C2, C3, C6, C7, C17, C18	7	1000pF ±10% ceramic capacitors (0201) Murata GRM33X3R102K016A
C4, C5	2	0.01μF ±10% ceramic capacitors (0201) Panasonic EJC-ZEBOJ103K
C8, C10, C12, C13, C14	5	0.01μF 10% ceramic capacitors (0402) Murata GRM36X7R103K016A
C9, C11	2	10μF ±10% tantalum capacitors AVX TAJB106K010
C15	1	100pF ±10% ceramic capacitor (0201) Murata GRM33X7R101K010A
C16	0	Not installed
R1	1	2kΩ variable resistor Bourns 3296W-202 or Digi-Key 3296W-202-ND
R2, R3, R9, R10	4	4.99kΩ ±1% resistors (0402)
R4, R11	2	15kΩ ±1% resistors (0402)
R5, R12	2	200kΩ variable resistors Bourns 3296W-204 or Digi-Key 3296W-204-ND
R6	1	15Ω ±1% resistor (0402)
R7, R8	2	66.5Ω ±1% resistors (0402) Note: R7 and R8 will be installed with resistive material facing down on the circuit board.
R13, R14	2	49.9Ω ±1% resistors (0402)
R15, R16	0	Not installed

DESIGNATION	QTY	DESCRIPTION
R17, R18	2	100Ω ±1% resistors (0402)
L1, L2	2	220nH inductors Coilcraft 0805CS-221XKBC
U1	1	MAX3930E/D (die) 81X46
U2, U3	2	MAX480ESA 8-pin SOs
U4	1	MAX6190AESA 8-pin SO
J3-J7	5	SMA connectors (edge-mount)
TP1, TP3-TP12, J1, J2, J8	14	Test points Digi-Key 5000K-ND
JU1, JU2	2	1×2 pin headers (0.1in centers) Digi-Key S1012-36-ND
JU1, JU2	2	Shunts Digi-Key S9000-ND
None	1	MAX3930 Rev C EV kit circuit board
None	1	MAX3930 EV kit data sheet
None	1	MAX3930 data sheet

Component Suppliers

SUPPLIER	PHONE	FAX
AVX	843-444-2863	843-626-3123
Coilcraft	847-639-6400	847-639-1469
Digi-Key	218-681-6674	218-681-3380
EFJohnson	402-474-4800	402-474-4858
Murata	415-964-6321	415-964-8165

Note: Please indicate that you are using the MAX3930 when contacting these component suppliers.

MAX3930 Evaluation Kit

Quick Start

- 1) If the data is to be latched, place shunt on JU1 to enable clock input; otherwise, leave JU1 open.
- 2) Install shunt JU2 to enable the outputs.
- 3) Adjust R5 and R12 to their full counter-clockwise positions.
- 4) Adjust R1 to the approximate center of the adjustment range.
- 5) Apply a differential input signal (max amplitude $\leq 800\text{mV}$ per side, common-mode voltage = 0) to J3 and J4 (DATA+ and DATA-).
- 6) If the latch is enabled, apply a differential clock signal (max amplitude $\leq 800\text{mV}$ per side, common-mode voltage = 0) to J5 and J6 (CLK+ and CLK-).
- 7) Attach a high-speed oscilloscope with 50Ω inputs to J7. For optimum performance, see the interconnect recommendations below.
- 8) Power up the board with a -5V supply and a -2V supply.
- 9) Adjust R5 clockwise until the desired laser modulation current is achieved.
- 10) Adjust R1 For 50% eye crossing:

$$I_{\text{MOD}} = \frac{\text{Output Amplitude (Volts)}}{20\Omega}$$

Adjustment and Control Descriptions (see Quick Start first)

COMPONENT	NAME	FUNCTION
JU1	RETIMING ENABLE	Enables/disables data retiming. Shunt to enable data retiming. Remove shunt for direct data transmission.
JU2	MODULATION ENABLE	Enables/disables the modulation outputs. Shunt for normal operation. Remove shunt to switch modulation output off.
R1	PULSE-WIDTH ADJUST	Pulse-Width Control. Adjusts the pulse width.
R5	MOD ADJUST	Adjusts the laser modulation current.
R12	BIAS ADJUST	Adjusts the laser bias current.

Recommendations for Interconnect Between the MAX3930 EV Kit and an Oscilloscope

- 1) Use a high-bandwidth sampling oscilloscope such as the Tektronix CSA8000 mainframe with an 80E01 50GHz sampling head. The 80E03 and 80E04 20GHz sampling heads are not recommended.
- 2) A high-quality SMA attenuator (14dB or 20dB) is required to reduce the signal level for compatibility with the sampling head. The attenuator should be connected directly to the output SMA connector on the EV kit to minimize transmission-line reflections.
- 3) The total path length from the EV kit to the oscilloscope must to be minimized. If possible, connect the female connector of the attenuator to the female input of the oscilloscope with an SMA adapter. If cables must be used, a 0.141in semi-rigid 50Ω coaxial cable with high-quality SMA connectors is recommended (example: Tektronix 015-1015-00).

MAX3930 Evaluation Kit

Evaluates: MAX3930

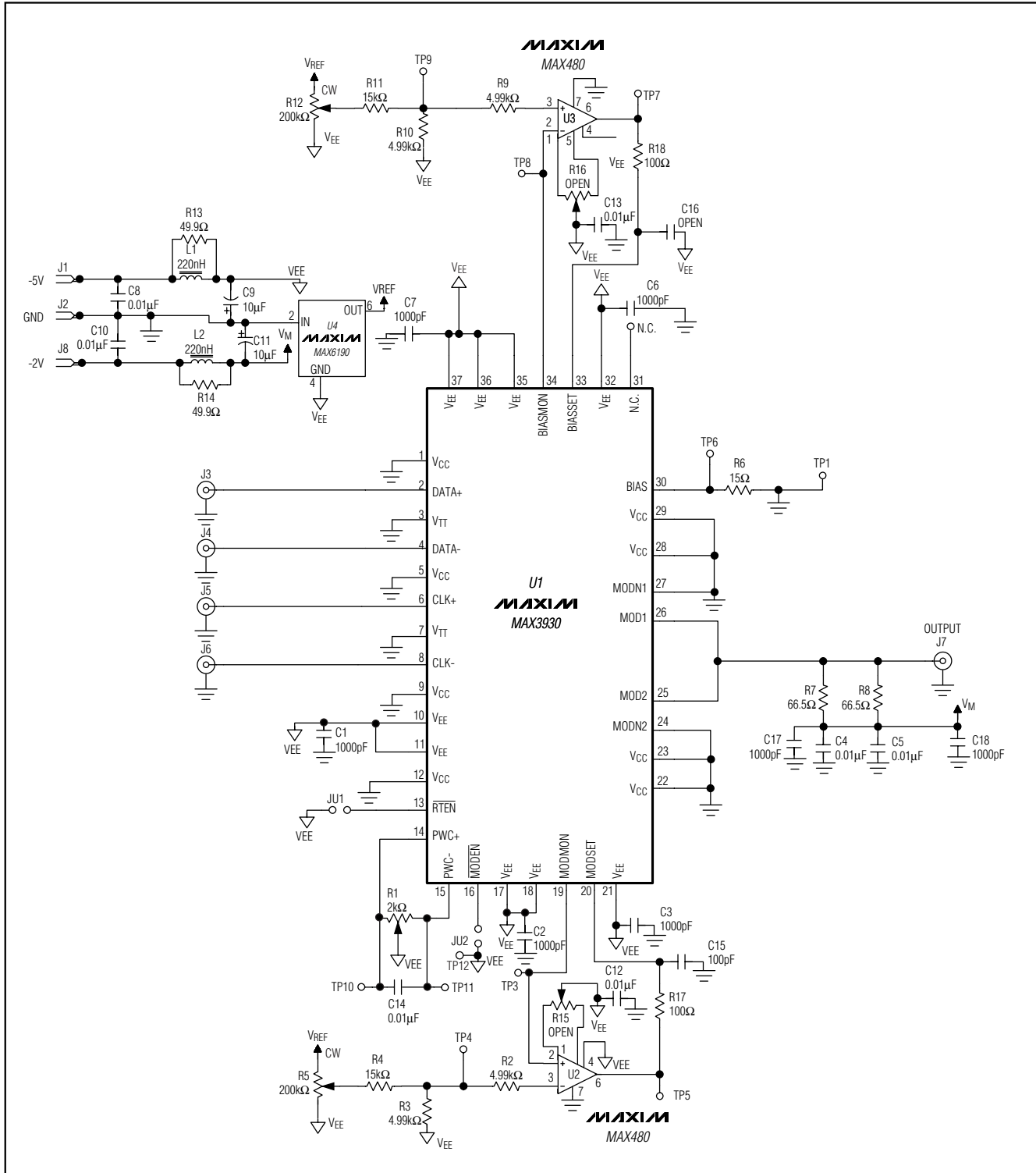


Figure 1. MAX3930 EV Kit Schematic

MAX3930 Evaluation Kit

Evaluates: MAX3930

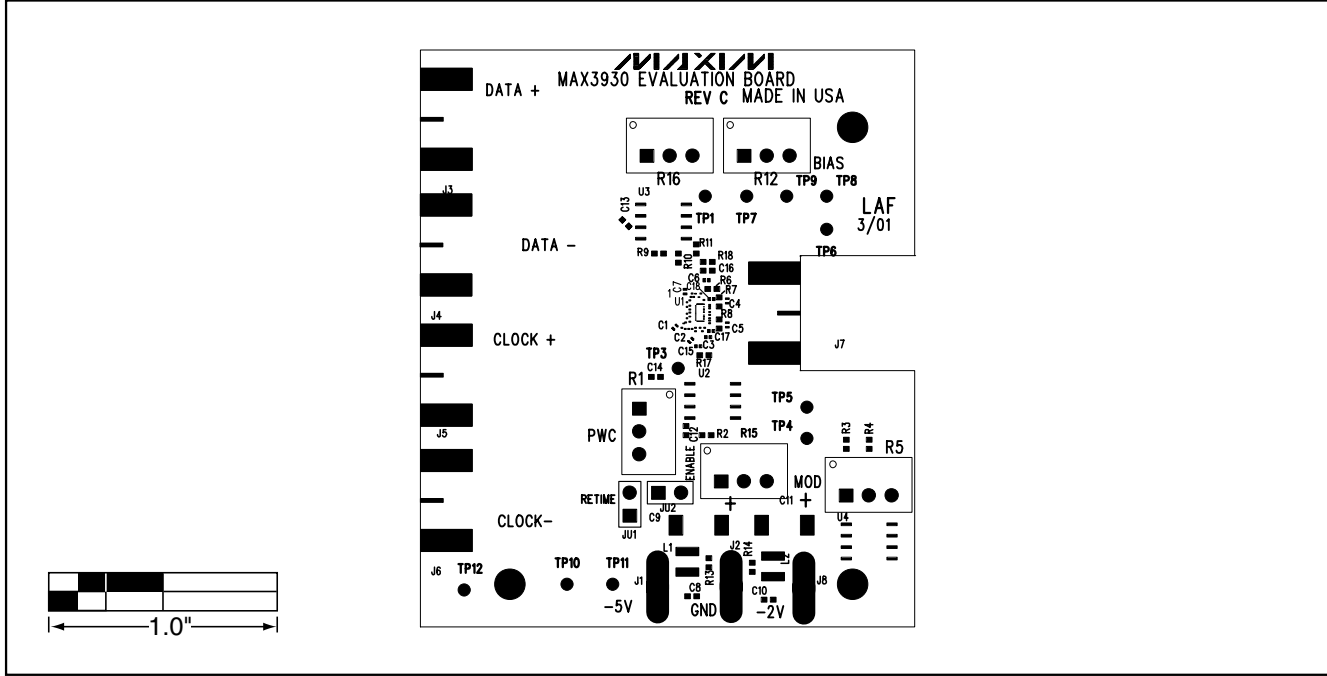


Figure 2. MAX3930 EV Kit Component Placement Guide—Component Side

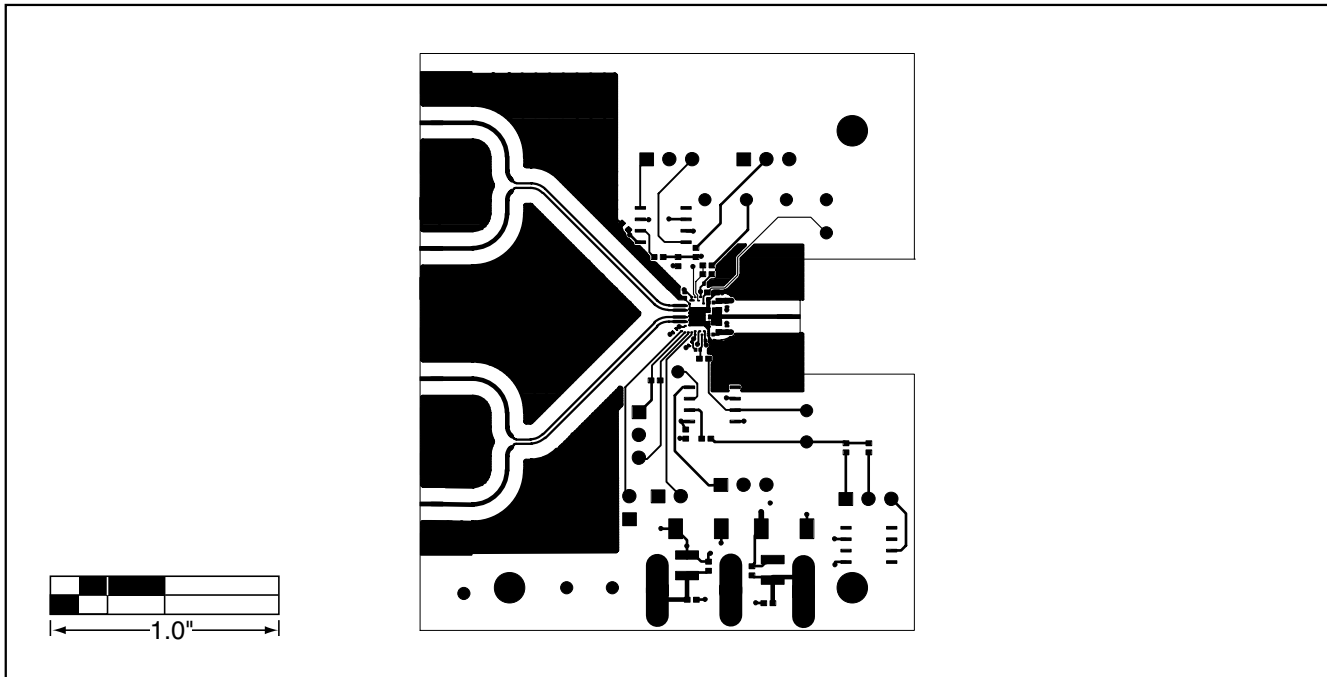


Figure 3. MAX3930 EV Kit PC Board Layout—Component Side

MAX3930 Evaluation Kit

Evaluates: MAX3930

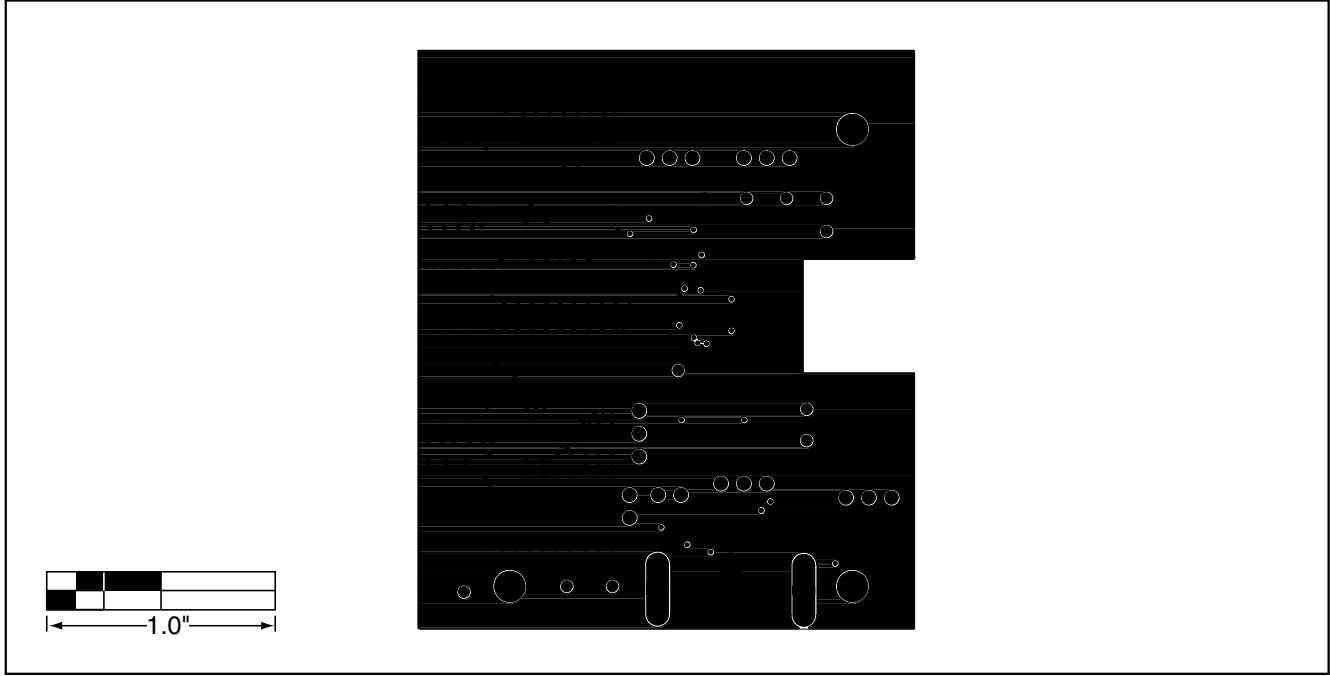


Figure 4. MAX3930 EV Kit PC Board Layout—Ground Plane

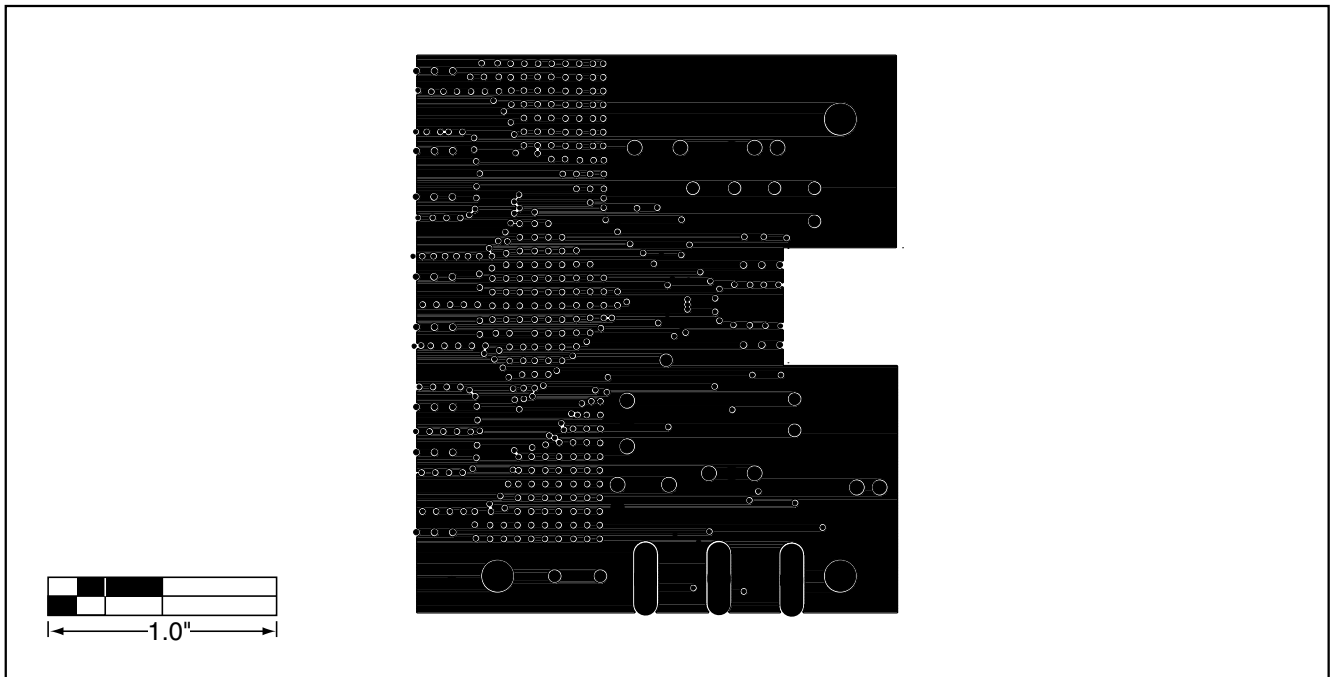


Figure 5. MAX3930 EV Kit PC Board Layout—Power Plane

MAX3930 Evaluation Kit

Evaluates: MAX3930

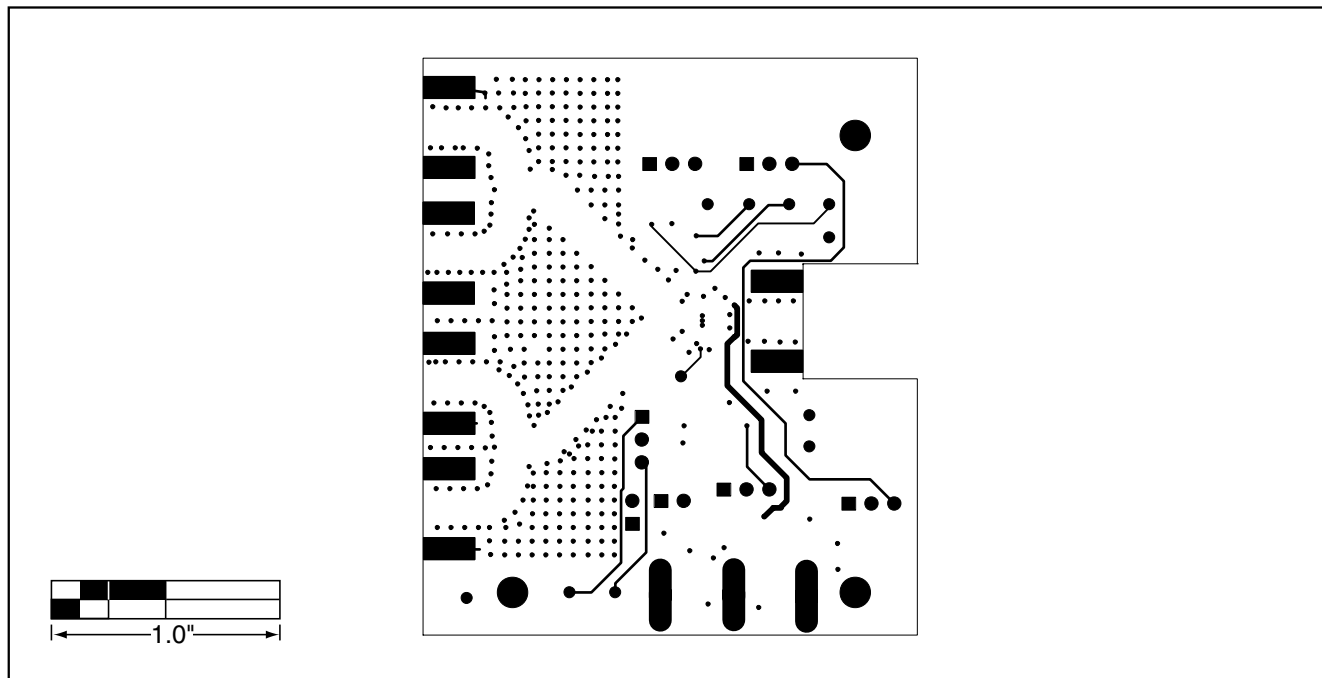


Figure 6. MAX3930 EV Kit PC Board Layout—Solder Side

Maxim cannot assume responsibility for use of any circuitry other than circuitry entirely embodied in a Maxim product. No circuit patent licenses are implied. Maxim reserves the right to change the circuitry and specifications without notice at any time.

6 **Maxim Integrated Products, 120 San Gabriel Drive, Sunnyvale, CA 94086 408-737-7600**

© 2001 Maxim Integrated Products

Printed USA

MAXIM is a registered trademark of Maxim Integrated Products.